

CONCORD TOWNSHIP, MIAMI COUNTY

PT. SOUTH SECTION 4, TOWN 4, RANGE 6

PLAT 5 F

HYWOOD ESTATES SEC. 1
LOTS 1 - 23
REC. 15-57

BROKEN WOODS

SEC. 1, LOTS 1-34
REC. 12-96
PT. SEC. 2, LOTS 35-37 & 86-88
REC. 12-136
PT. SEC. 5, LOTS 127-130
REC. 15-50
SEC. 6, LOTS 136-141
REC. 16-32
PT. SEC. 7, LOTS 153 & 159
REC. 17-6

ABBREVIATION LEGEND

20140R-07759 = RECORDER'S DOCUMENT NUMBER
OR 59-693 = OFFICIAL RECORD 59 PAGE 693
D.B. 613-172 = DEED BOOK 613, PAGE 172
REC. 15-72 = RECORDER'S PLAT BOOK 15, PAGE 72
LND. 33-15 = LAND SURVEY VOLUME 33, PAGE 15
LOT 19-12 = LOT SURVEY VOLUME 19, PAGE 12
R.R. 8-29 = ROAD RECORD VOLUME 8, PAGE 29
R/W = RIGHT OF WAY
C = CENTERLINE
AC = ACRES
TWP. = TOWNSHIP
TR. = TRACT
② = LOT CREATED BY RECORDER'S PLAT

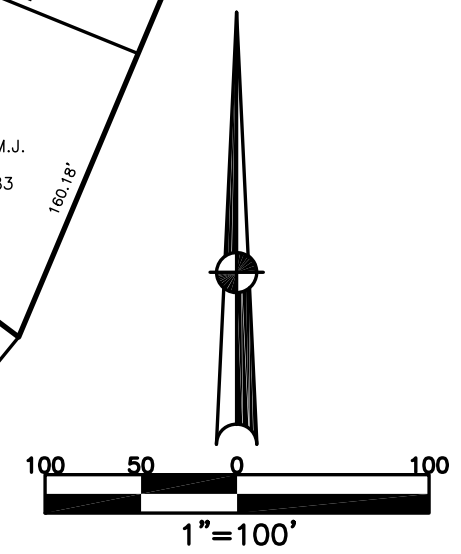
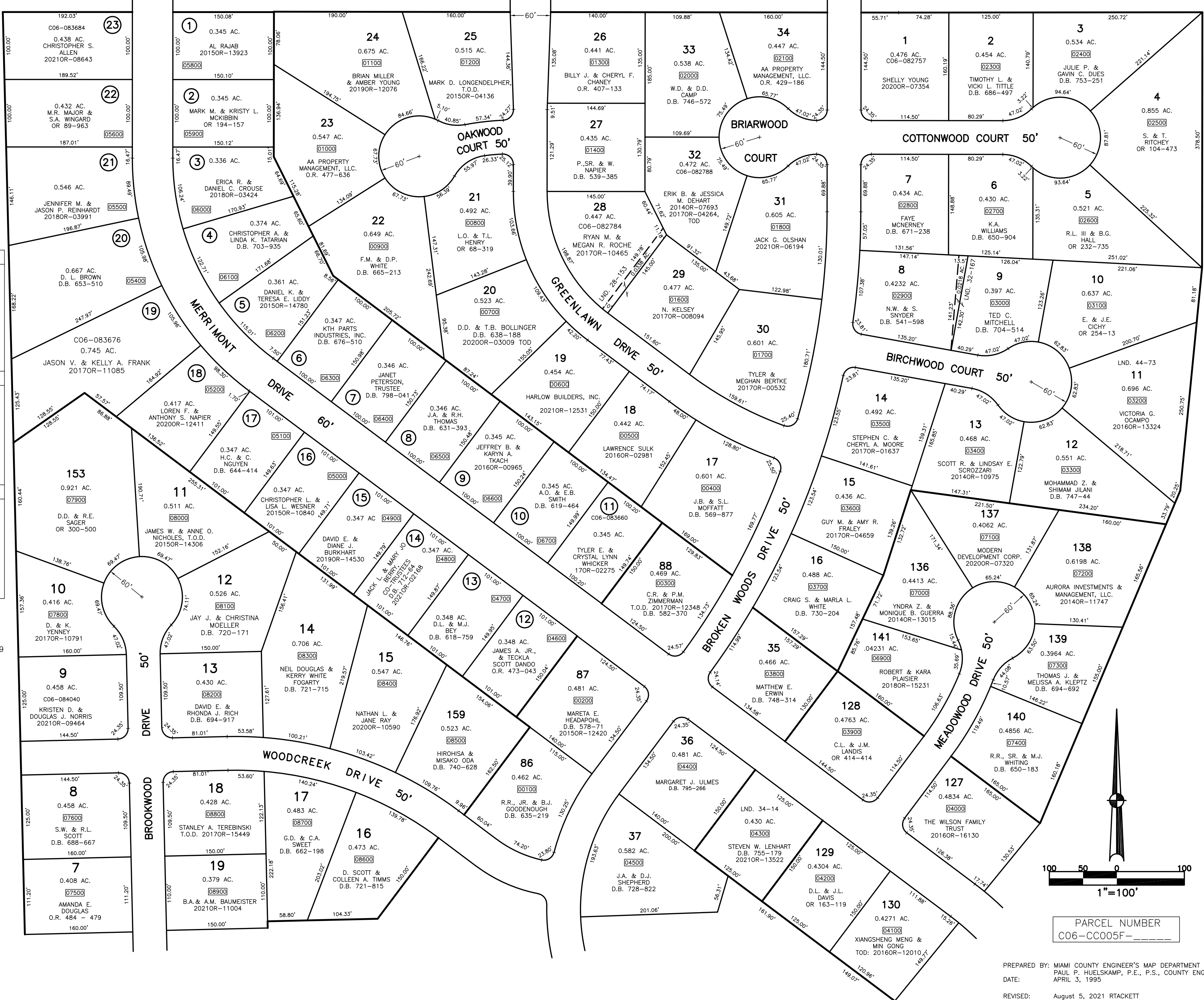
LINE LEGEND

— Blow-up Boundary
— Property Line
- - - Lot Split Line
- - - Section Line
- - - Centerline
- - - Right-of-Way Line
// // // Corporation Line

SURVEY INDEX

REC. 12-96	LND. 28-153
REC. 12-136	LND. 32-167
REC. 15-57	LND. 34-14
REC. 16-32	LND. 44-73
REC. 17-6	
REC. 18-19	

PT. SWEET WOODS ESTATES, LOTS 7-19
REC. 18-19



PARCEL NUMBER
C06-CC005F-_____

PREPARED BY: MIAMI COUNTY ENGINEER'S MAP DEPARTMENT
PAUL P. HUELSKAMP, P.E., P.S., COUNTY ENGINEER
DATE: APRIL 3, 1995
REVISED: August 5, 2021 RTACKETT